



**General Quick Start Guide And Resource Locations**

## Welcome to HuddleCamHD

The entire HuddleCamHD family wants to thank you for your purchase of one of our products.

We pride ourselves on offering a wide array of solutions with a focus on the right features to get your job done.

---

If you ever have a problem with your HuddleCamHD, don't hesitate to reach out to our amazing support team.

[support@huddlecamed.com](mailto:support@huddlecamed.com)  
<http://help.huddlecamed.com>

---

The following guide has been assembled to help you use your new HuddleCamHD camera how you want, as quickly as possible.

In the table of contents on the next page, you'll see different ways you can interact with your HuddleCamHD camera..

If you still have questions after reading through this guide, our always up-to-date user manual can be downloaded from our website.

<https://huddlecamed.com/resource-library/>



## Connecting Your Camera for the First Time

Your new camera has many options for connecting, powering, controlling, and streaming. This Quick Start Guide will help you understand how to use each of these different options.

1. Refer to the **Table of Contents** on the following page to find the various options available for your camera.
2. Read the instructions for the specific aspect of your camera that you want to use.
3. Refer to the page following the Table of Contents for an illustration of the back plate of your camera. Use this illustration to help determine which aspect of the camera you would like to use.
4. If you are having trouble using your camera, please refer to the **Troubleshooting** section of this guide.

### HuddleCamHD Quick Start Guide Video

We have videos to help you set up and use your camera. Scan the QR code below to visit our YouTube page:

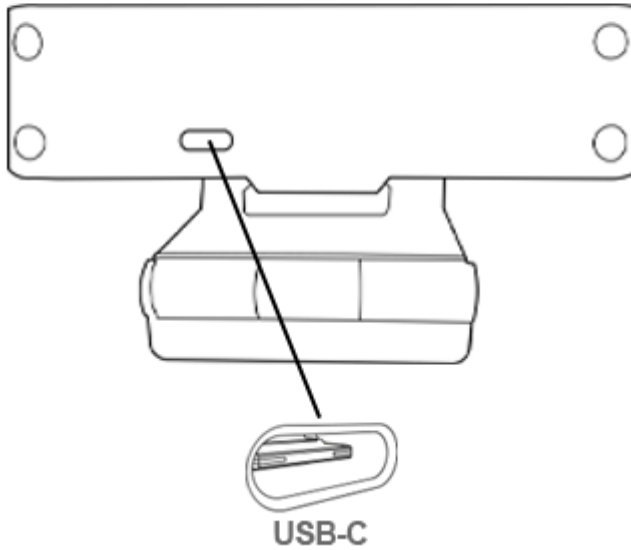
<https://bit.ly/HCHDsetup>



## Table of Contents

HuddleCamHD MiniTrack Back Connection	4
USB Connection	5
UVC Control	6
IR Remote Control	7
Power Your Camera	8
Find Software to Get Started	9
User Manual / General Resources	10
Troubleshooting	11

## HuddleCamHD MiniTrack Back Connection



## USB Connection

Your camera comes with a USB connection. Connect one end of the included USB-C cable into your camera. Connect the USB-A side to a PC or to the device of your choice.

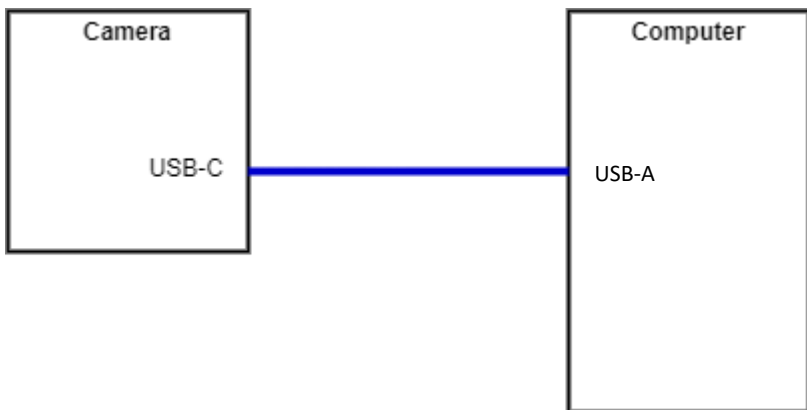


A USB-C Connector

---

The USB connection of your camera allows for camera control within certain software. Please see the user manual for more details.

---



## UVC Control

Your camera is USB Video Class (UVC) compliant. This means that you can control your camera's pan, tilt, and zoom as well as change camera settings through your USB connection.

Most video software offers some form of UVC control.

To find software designed for your camera, please refer to the **Find Software to Get Started** section of this guide.

## IR Remote Control

Your camera comes with an IR Remote Control. The IR Remote Control is detailed in the User Manual.

### **Control:**

You can use the IR Remote Control to control your camera's pan, tilt, focus, and zoom. Pressing on the OSD button, will bring up the On-Screen Display where you can adjust all camera settings.

### **Quick Set Features:**

Your IR Remote control contains some codes that allow you to set the IP address or change the IP address to DHCP. Please refer to the user manual for more information.

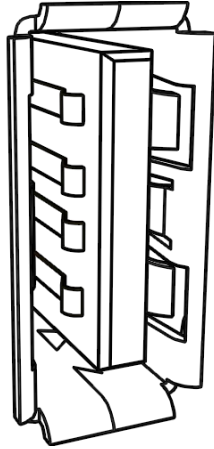
### **Multiple Cameras:**

The IR Remote Control can control up to four independent cameras.



## Power Your Camera

Your camera can be powered through USB. Please use the included USB cable.



## Find Software to Get Started

HuddleCamHD provides a wide range of software to help you use your camera.

All software is available at:

<http://HuddleCamHD.com/setup>

### **Camera Control App**

Take control of your USB-connected camera with the Camera Control App.

### **Webcam OSD Tool**

Are you using a HuddleCamHD webcam? Download this software to access the On-Screen Display (OSD) menu.

### **Firmware Upgrade Tool**

Keep your HuddleCamHD camera up-to-date with our firmware upgrade tool.

### **Tracking Control Software**

If you own a HuddleCamHD SimpliTrack or HuddleView, download this software to enable tracking and framing.

HuddleCamHD cameras work with all major video conferencing and streaming solutions.

## User Manual / General Resources

The user manual for your camera is available at:

<https://huddlecamed.com/resource-library/>

## Troubleshooting

For all other questions, please reach out to the HuddleCamHD Support Department at [Support@HuddleCamHD.com](mailto:Support@HuddleCamHD.com)

